

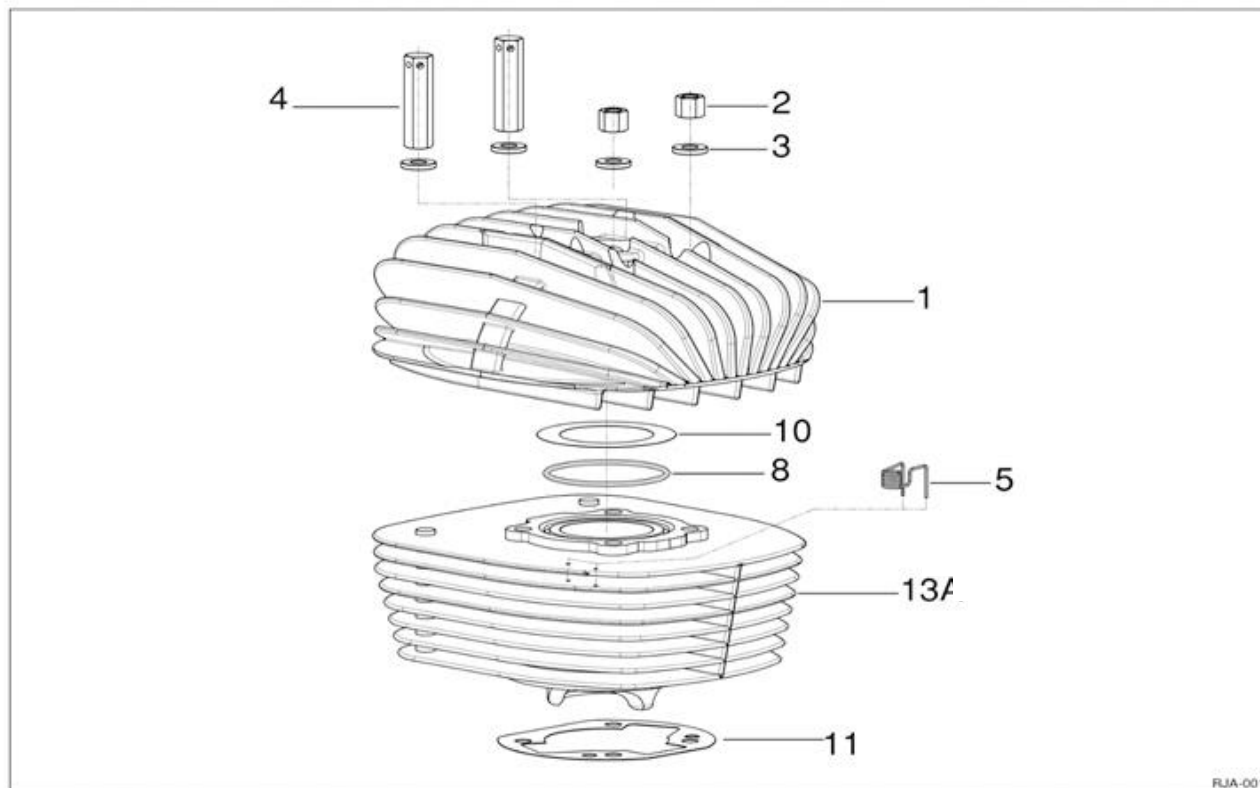
# IAME

The heart of kart

*IAME KA100 REEDJET 100cc USA*

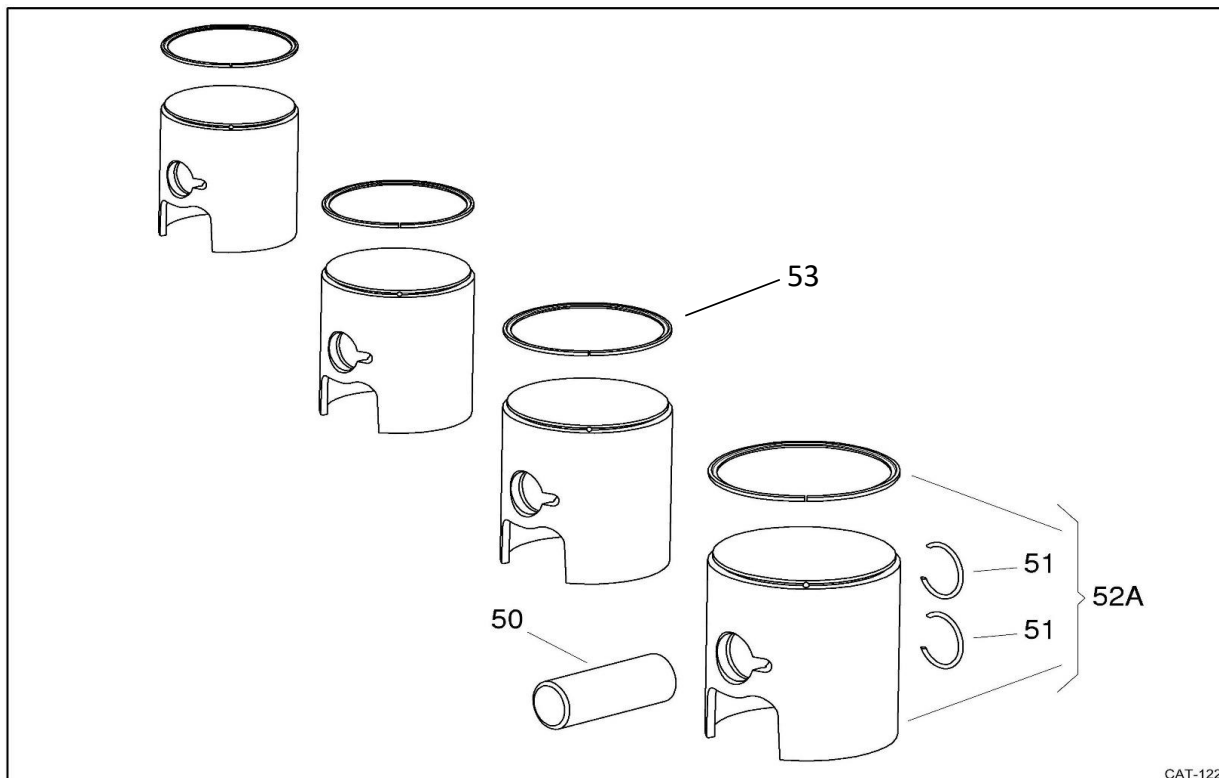


2018 CATALOG



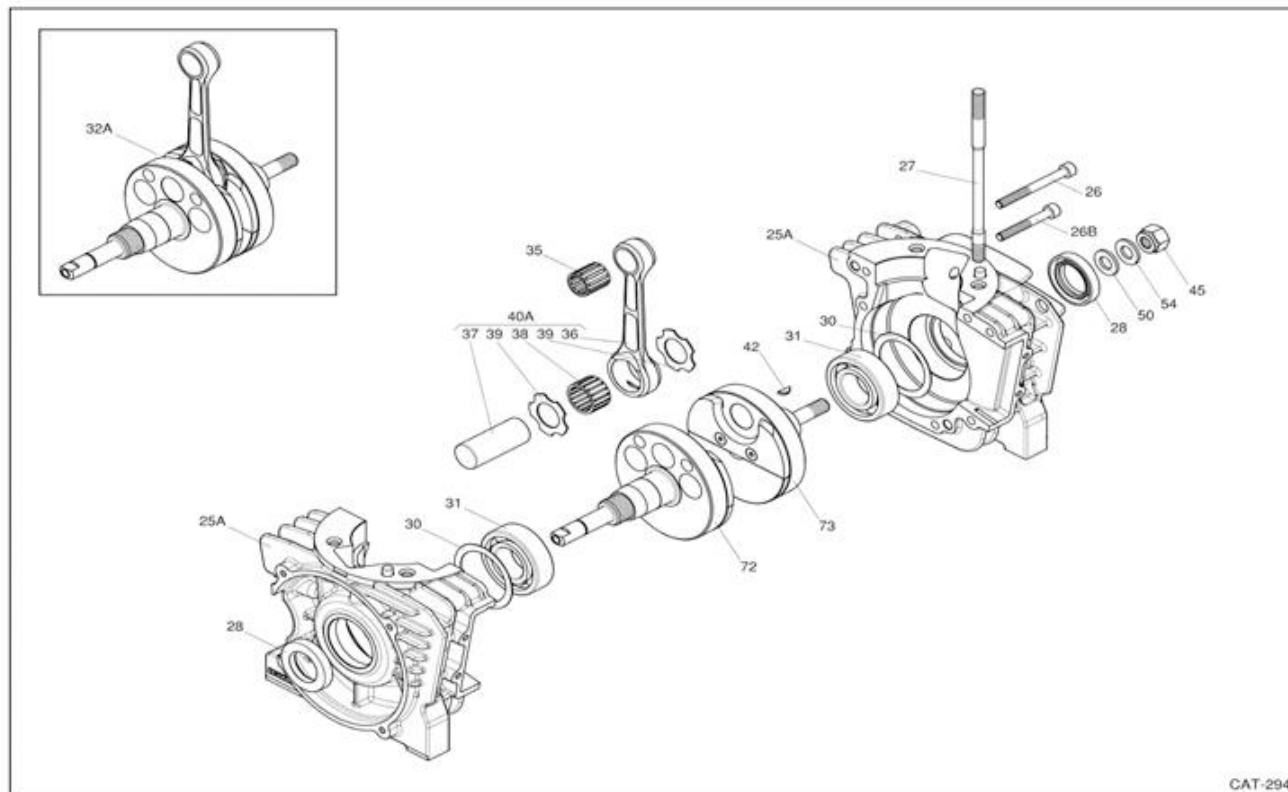
FUJA-001

POS	COD	DESCR	PRICE
1	IAA-40100US	CYLINDER HEAD REEDJET USA	285.81
2	10350	HEAD NUT	3.56
3	10635	HEAD NUT WASHER H=3mm	1.81
4	10351	BLACK HEAD NUT	15.86
5	10785	FLEXIBLE SPRING	6.88
8	D-37049	HEAD GASKET OR 3237	6.84
10	IAA-40200-0.05	COPPER HEAD GASKET 0.05	3.03
10	IAA-40200-0.10	COPPER HEAD GASKET 0.10	3.03
10	IAA-40200-0.15	COPPER HEAD GASKET 0.15	3.03
11	EBP-125045	CYL. GASKET 4MM SUD-TOP/X30	3.56
11	EBP-125046	CYL. GASKET 2MM SUD-TOP/X30	3.56
11	EBP-125047	CYL. GASKET 1MM SUD-TOP/X30	6.64
11	EBP-125048	CYL. GASKET .05MM SUD-TOP/X30	6.64
13A	IAA-01000US	CYLINDER REEDJET USA	641.20



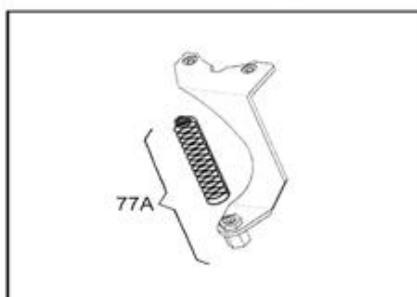
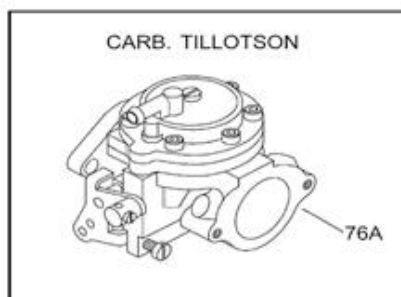
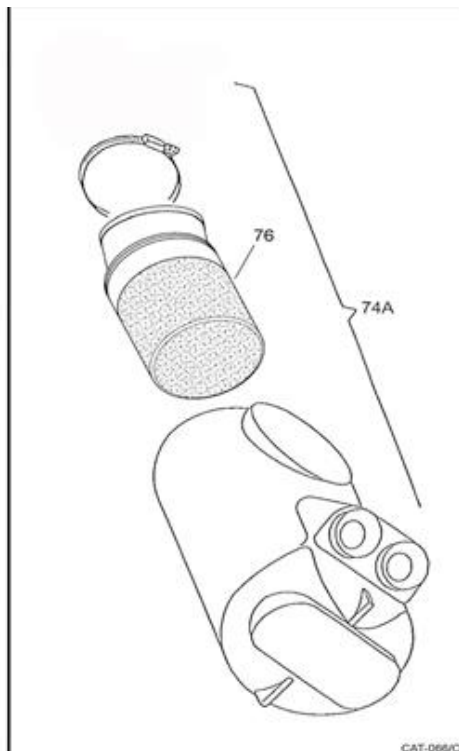
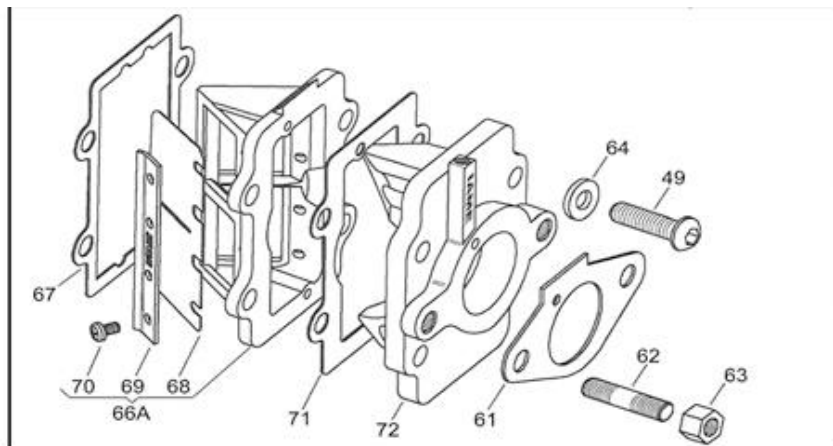
CAT-122

POS	COD	DESCR	PRICE
50	B-10321-R	PISTON PIN 14x39 1^SEL	32.16
51	10341-A	CIRCLIP W/OUT TAILS	1.88
52A	EBP-85050-CV	PISTON PUMA-85 48.20G	120.65
52A	EBP-85050-CR	PISTON PUMA-85 48.20R	120.65
52A	EBP-85055-CV	PISTON PUMA-85 48.22G	120.65
52A	EBP-85055-CR	PISTON PUMA-85 48.22R	120.65
52A	EBP-85057-CV	PISTON PUMA-85 48.24G	120.65
52A	EBP-85057-CR	PISTON PUMA-85 48.24R	120.65
52A	EBP-85060-CV	PISTON PUMA-85 48.26G	120.65
52A	EBP-85060-CR	PISTON PUMA-85 48.26R	120.65
52A	EBP-85063-CV	PISTON PUMA-85 48.28G	120.65
52A	EBP-85063-CR	PISTON PUMA-85 48.28R	120.65
52A	EBP-85065-CV	PISTON PUMA-85 48.30G	120.65
52A	EBP-85065-CR	PISTON PUMA-85 48.30R	120.65
52A	EBP-85070-CV	PISTON PUMA-85 48.32G	120.65
52A	EBP-85070-CR	PISTON PUMA-85 48.32R	120.65
52A	EBP-85072-CV	PISTON PUMA-85 48.34G	120.65
52A	EBP-85072-CR	PISTON PUMA-85 48.34R	120.65
52A	EBP-85075-CV	PISTON PUMA-85 48.36G	120.65
52A	EBP-85075-CR	PISTON PUMA-85 48.36R	120.65
52A	EBP-85080-CV	PISTON PUMA-85 48.40G	120.65
52A	EBP-85080-CR	PISTON PUMA-85 48.40R	120.65
52A	EBP-85085-CV	PISTON PUMA-85 48.42G	120.65
52A	EBP-85085-CR	PISTON PUMA-85 48.42R	120.65
52A	EBP-85087-CV	PISTON PUMA-85 48.44G	120.65
52A	EBP-85087-CR	PISTON PUMA-85 48.44R	120.65
52A	EBP-85095-CV	PISTON PUMA-85 48.50G	120.65
52A	EBP-85100-CV	PISTON PUMA-85 48.52G	120.65
053	B-65175	RING 48.20	44.92
053	B-65178	RING 48.26	44.92
053	B-65180	RING 48.30	44.92
053	B-65183	RING 48.36	44.92
053	B-65185	RING 48.40	44.92
053	B-65190	RING 48.50	44.92



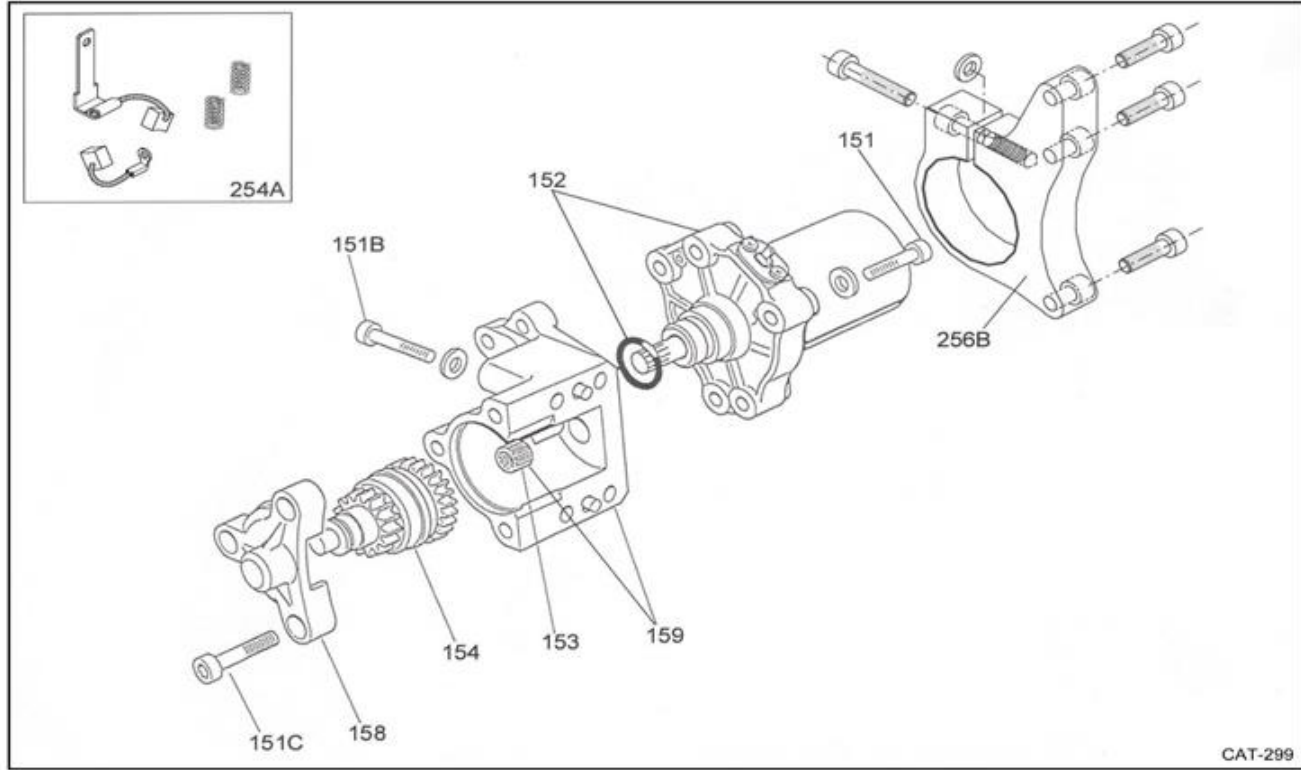
CAT-294

POS	COD	DESCR	PRICE
25A	IAB-01041US	CRANKCASE REEDJET 100cc USA	709.56
26	00051-K	KIT OF 20 ALLEN SCREWS 6x55	10.00
26B	00049-K	KIT OF 20 ALLEN SCREWS 6x45	7.18
27	E-38345	CYLINDER TIE-ROD 8X157	13.91
28	X30125425A	OIL SEAL MAGN./DRIVE SIDE	15.00
30	30404	STEEL SHIM 0.15	3.56
30	30407	STEEL SHIM 0.10	3.56
31	35396-F	BALL BEARING SKF 6205 TN9/C4	27.72
32A	IAC-00100	CRANKSHAFT REEDJET AUS	814.34
35	E-10440	SMALL END ROLLER CAGE	34.92
36	IFC-50100	X30 CONROD 102mm	308.72
37	IAC-40140	CRANKPIN DRAGON 20X47mm	33.74
38	X30125431	BIG END CAGE	67.02
39	X30125436	SILVER BRONZE WASHER	10.42
40A	IFC-50100-47	CONROD 102-pin47SUD-09/R-AUS	413.16
42	10375	MAGNETO/SPROCKET SHAFT END KEY	2.43
45	382	NUT M10X1	2.29
50	00305-K	KIT OF 20 WASHERS M10	7.47
54	00342-K	KIT OF 20 WASHERS 10.5X18X0.8	6.66
72	GBP-125386	HALFCRANK TRANSM.S.SUDAM TaG	318.22
73	IAC-30141	HALFCR. IG.S. DRAG/LEOP MY '09	248.90

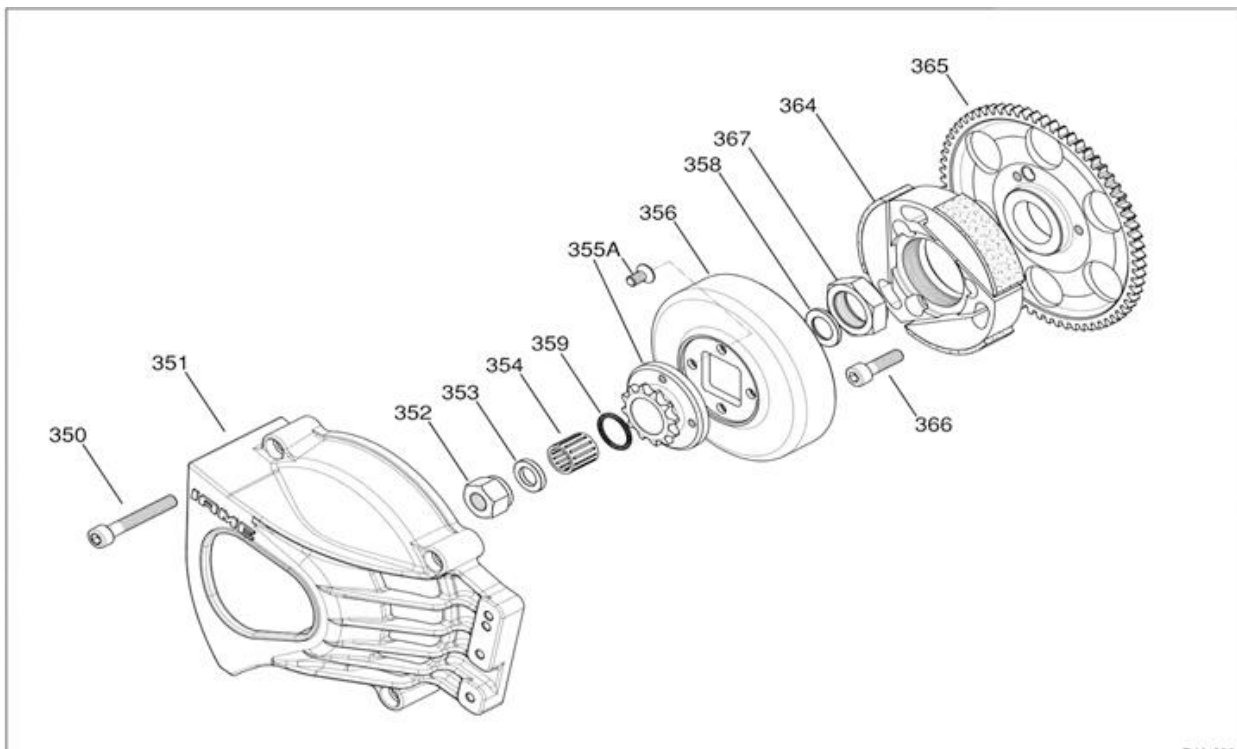


CAT-066C

POS	COD	DESCR	PRICE
49	00045-K	20 SOCKET H. SCREWS M6X25 KIT	4.57
61	10360-B	CARBURETOR GASKET	3.76
62	10525	FIX. CARB. STUDBOLT 6X25	5.08
63	00351-K	20 HEXAGONAL NUTS KIT M6	3.56
64	00302-K	KIT 20 WASHERS M6	1.81
66A	X3011830-RC	REED GROUP TOP	111.04
67	X30125810	REED BLOCK GASKET X30	5.08
68	X3011840	FIBERGLASS REED PETAL	17.09
69	F-11845A	REED CLIPS	3.56
70	10380-K	KIT 20 SCREWS 1/2 CR. HEAD 3X5	35.43
71	X30125809	TOP CONVEYOR GASKET	7.03
72	X30125815A	CONVEYOR 28mm X30	74.03
74A	IAG-90000	INLET SILENCER SOCOREM BLUE	52.98
76	10751-A	RUBBER HOSE WITH FOAM FILTER	43.96
76A	HW-33A	CARBURETOR TILLOTSON HW33A	289.95
77A	B-35520-C	CARBURETOR BRACKET	23.00



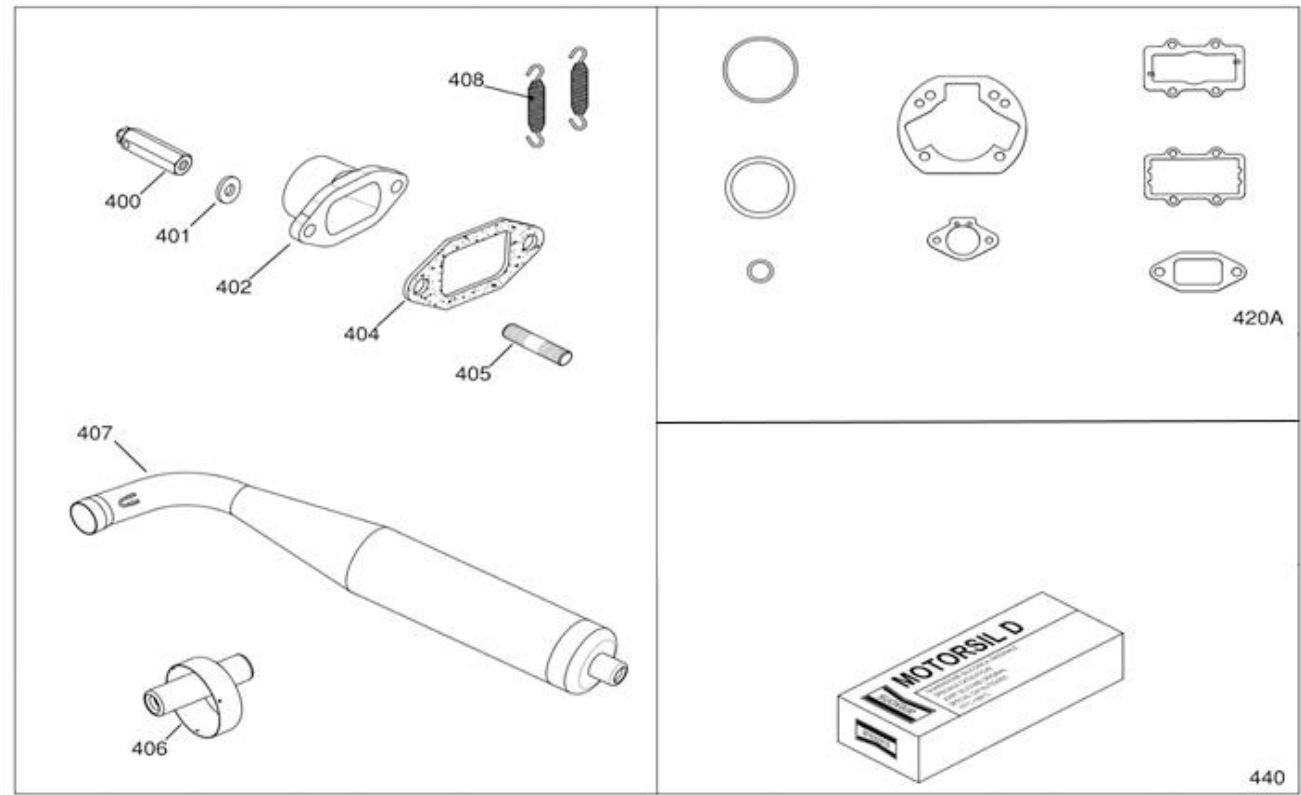
POS	COD	DESCR	PRICE
151	00047-K	KIT OF 20 ALLEN SCREWS 6x35	7.18
151B	00049-K	KIT OF 20 ALLEN SCREWS 6x45	7.18
151C	00045-K	KIT 20 SOCKET H. SCREWS M6X25	4.57
152	A-120850	STARTER TaG	241.83
153	A-60865	ROLLER CAGE TaG	11.28
154	A-120856	BENDIX	122.91
158	A-60870	BENDIX SUPPORT	17.09
159	A-120860-C	COUNTERSH. SUPPORT TaG W/ROLLER	117.95
254A	A-60852A-C	STARTER BRUSHES KIT	30.91
256B	A-125863-C	STARTER SUPPL. SUPPORT	43.12



POS	COD	DESCR	PRICE
350	00046-K	KIT 20 SCREWS 6x30	7.47
351	A-60595B	CLUTCH GUARD X30	54.05
352	D-75570	STARTER NUT TaG	7.13
353	D-75565	THRUST INT.WASHER H=1.8mm	5.08
354	B-55598	CLUTCH ROLLER CAGE TaG	19.18
355A	X30125554-C	SPROCKET Z10 W/SCREWS	68.08
355A	X30125555-C	SPROCKET Z11 W/SCREWS	68.08
355A	X30125556-C	SPROCKET Z12 W/SCREWS	68.08
355A	X30125557-C	SPROCKET Z13 W/SCREWS	68.08
356	X30125550A	CLUTCH DRUM NO HOLES	76.08
358	D-75573	EXTERNAL WASHER	3.56
359	A-60565	CLUTCH DRUM OR	2.20
364	X30125841	PADDED HUB X30 '13	180.02
365	IAI-30000	STARTER WHEEL REEDJ-AU/LEOP MY09	116.04
366	00042-K	KIT 20 SCREWS TECNIC 150 M6x16	16.10
367	IFF-21300	WHEEL LOCKING NUT	17.72

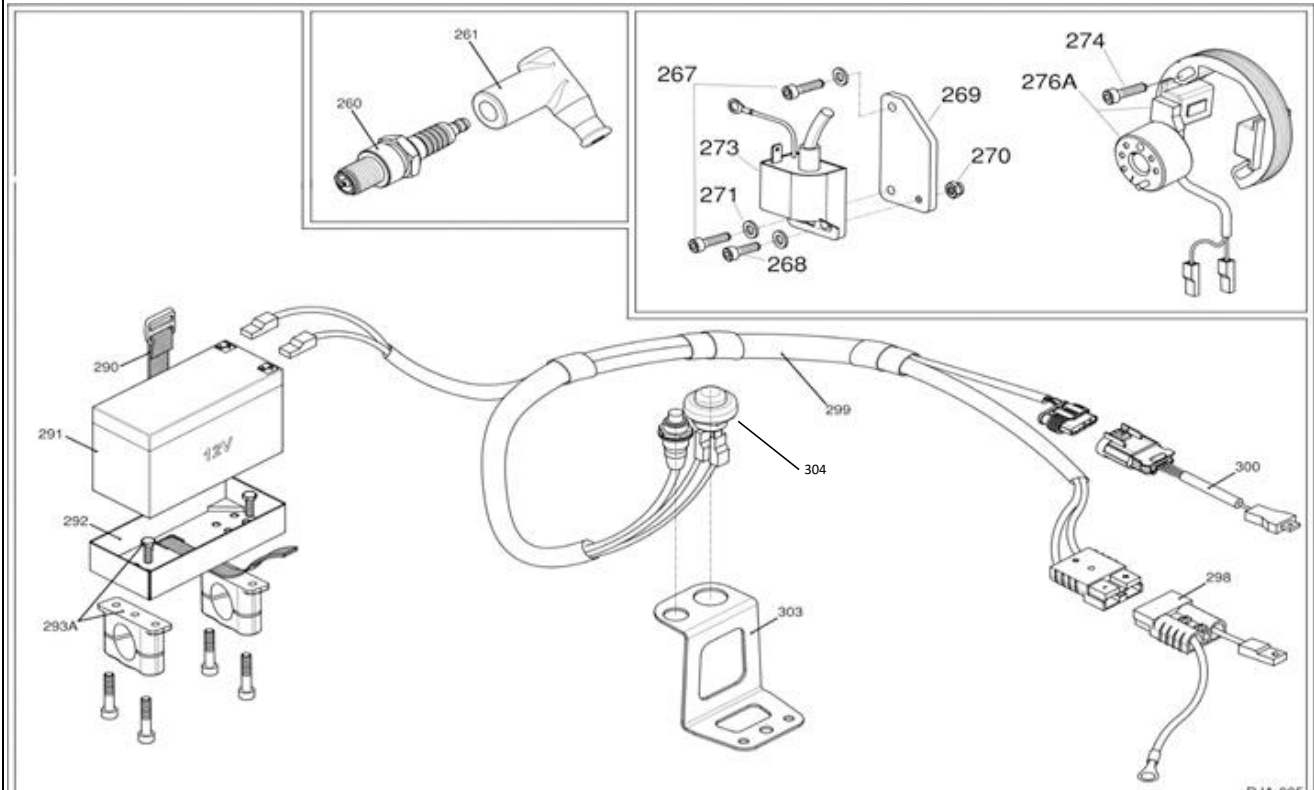
# EXHAUST GROUP & GASKETS SET

KA100



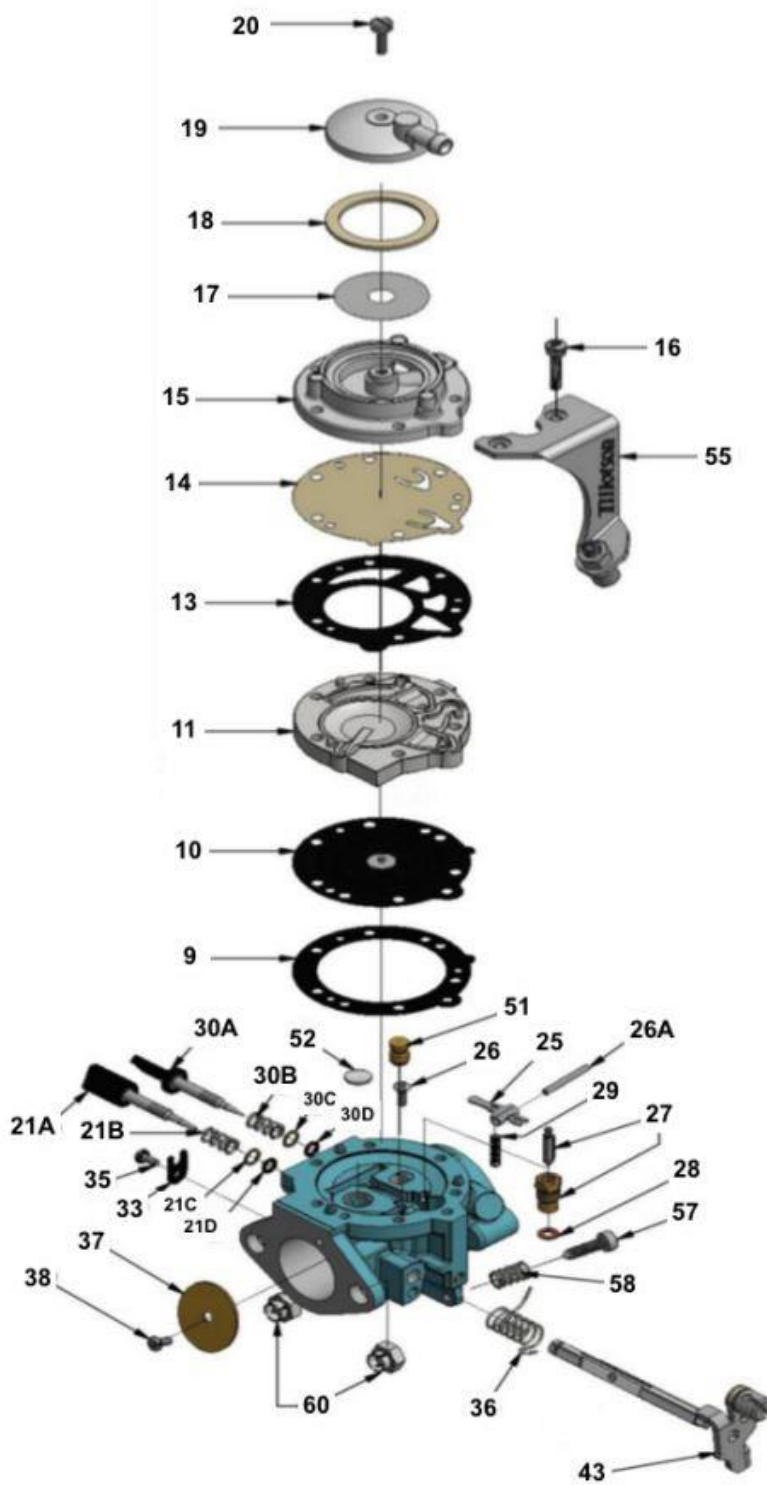
POS	COD	DESCR	PRICE
400	IAA-20300	PIERCED EXHAUST NUT	8.98
401	00303-K	KIT OF 20 WASHERS M8	1.90
402	IAH-02000	EXHAUST MANIFOLD REEDJET	66.63
402	IAH-02011	EXHAUST MANIFOLD REEDJET JR. 22mm	66.63
404	B-75360	EXHAUST GASKET	8.35
405	B-75355	EXHAUST STUDBOLT 8X36	8.35
406	IAH-04301	SILENCER END	42.42
407	IAH-04000	SILENCER KA100	272.80
408	IFH-55100	FLEXIBLE SPRINGS	9.32
420A	IAZ-125992	GASKETS SET KA100 USA	38.23
440	00602	LIQUID GASKET AREXON	43.59



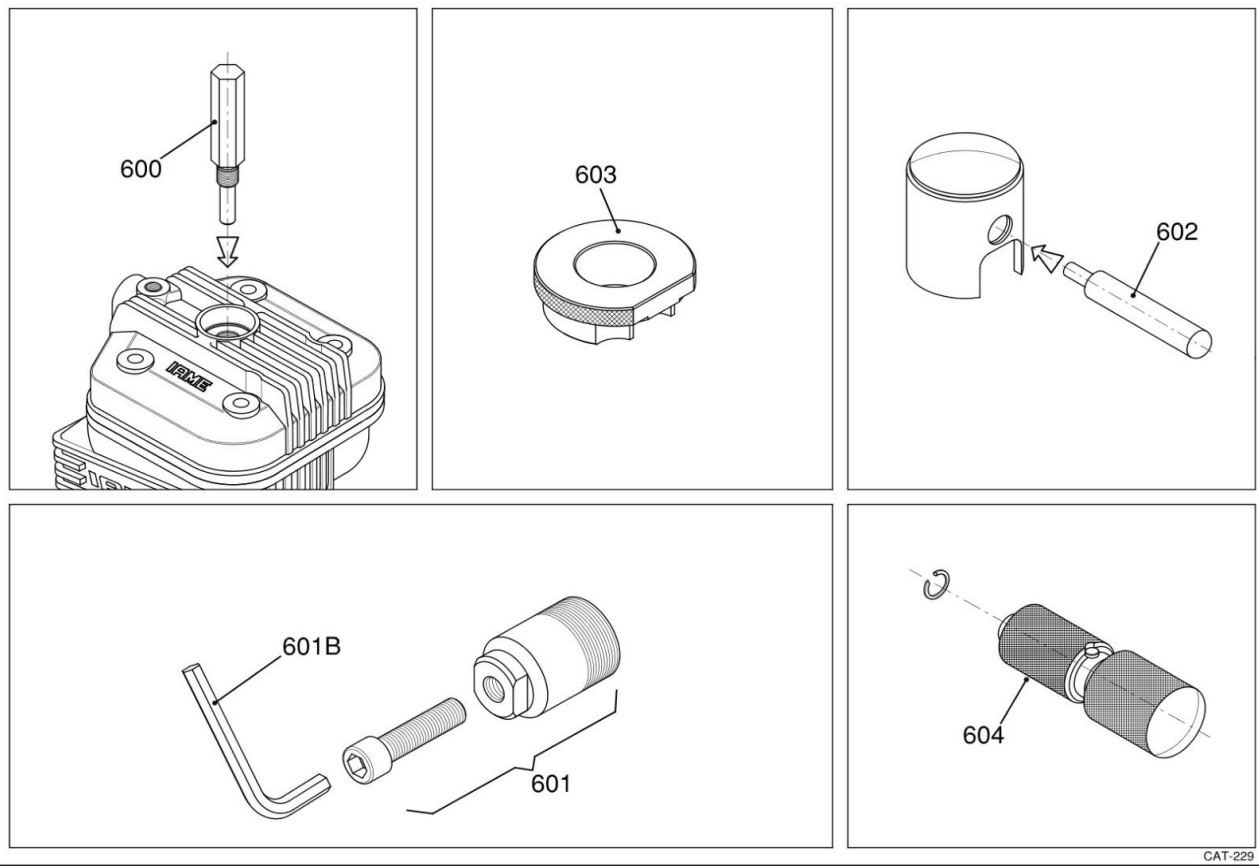


POS	COD	DESCR	PRICE
260	10561-A	SPARK PLUG NGK BR10EG	12.95
260	10561NGK6252	NGK R6252K-105 RESIST SPARK PLUG	12.95
261	10544	PVL SPARK CAP	20.45
267	00032-K	KIT OF 20 SCREWS 5x20	4.88
268	00031-K	KIT OF 20 ALLEN SCREWS 5x16	5.08
269	A-61510	COIL SUPPORT	22.08
270	00378-K	20 SELF LOCKING NUTS KIT M6	4.57
271	00301-K	KIT 20 WASHERS M5	1.81
272	A-61520	COIL DAMPENER	11.76
273	A-61955	SELETTA COIL BLACK	106.99
274	00034-K	KIT OF 20 ALLEN SCREWS 5x25	4.57
276A	A-61951A	IGNITION 2 POLES '14	172.36
290	A-60904A	BATTERY FIXING BELT	17.09
291	X30125900	AMSTRON BATTERY	54.00
292	X30125905	BATTERY SUPPORT	41.11
293A	A-60906A/1	SUP.BAT.CLAMP BOTTOM ONLY 28MM	14.25
293A	A-60907A/1	SUP.BAT.CLAMP BOTTOM ONLY 30MM	14.25
293A	A-60906A-C1	SUP.BAT.CLAMP 28mm W/SCREWS'13	33.23
293A	A-60907A-C	SUPP.BATT.CLAMP 30mm W/SCREWS W/O RUBBERS	29.20
293A	A-60907A-C1	SUP.BAT.CLAMP 30mm W/SCREWS'13	33.23
293A	A-60908A-C1	SUP.BAT.CLAMP 32mm W/SCREWS'13	33.23
298	IFE-05401D	STARTER CABLE	33.92
299	IFE-05003A	CABLES HARNESS DIG. S	168.26
300	IAE-06100	ADAPTER IGNITION 2 POLES	15.52
303	IFI-70000	BUTTONS BRACKET	16.06
304	IFE-05003-PS	KA100 PUSH START BUTTON	39.24

# HW-33A Spare Parts Prices



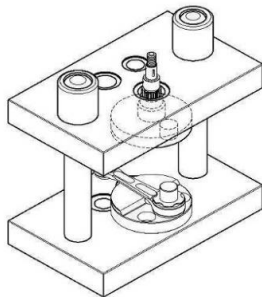
ITEM	PART NO:	DESCRIPTION	Retail Price \$
9	+ * 16-B406	DIAPHRAGM GASKET (ORANGE)	0.80
10	+ * 237-600	DIAPHRAGM	4.91
11	91A-275	DIAPHRAGM COVER	7.07
13	+ * 16-B407	FUEL PUMP GASKET (ORANGE)	2.47
14	+ * 237-223	FUEL PUMP DIAPHRAGM	4.35
15	141-89	FUEL PUMP BODY	9.67
16	15C-51	FUEL PUMP BODY SCREW	0.91
17	95 - 170	FUEL STRAINER SCREEN	0.92
18	+ * 16-B205	FUEL STRAINER COVER GASKET	0.66
19	91-A251	FUEL STRAINER COVER	3.04
20	15-B313	FUEL STRAINER COVER RETAINING SCREW	0.71
21A	43-1029	IDLE MIXTURE SCREW	10.16
21B	24-B449	IDLE MIXTURE SCREW SPRING	0.59
21C	78A-256	IDLE MIXTURE SCREW WASHER	0.76
21D	44-361	IDLE MIXTURE SCREW PACKING	1.04
25	* 155A-27	INLET CONTROL LEVER	0.80
26	15-B329	FULCRUM LEVER SCREW	0.69
26A	32-79	FULCRUM LEVER PIN	0.59
27	* 233-721P	INLET NEEDLE & SEAT SET	15.45
28	16-B199	INLET SEAT GASKET	0.53
29	24-B299	INLET TENSION SPRING	1.58
30A	43-1030	HIGH SPEED MIXTURE SCREW	10.16
30B	24B-449	HIGH SPEED MIXTURE SCREW SPRING	0.59
30C	78A256	HIGH SPEED MIXTURE SCREW WASHER	0.76
30D	44-361	HIGH SPEED MIXTURE SCREW PACKING	1.04
33	29-224	THROTTLE SHAFT CLIP	0.98
35	15-C19	THROTTLE SHAFT CLIP RETAINING SCREW	0.87
36	24-B381	THROTTLE RETURN SPRING	0.91
37	14-A118	THROTTLE SHUTTER	19.11
38	15-C20	THROTTLE SHUTTER SCREW	0.87
42	13-B216	THROTTLE SHAFT	15.50
43	12-1220	THROTTLE LEVER ASSEMBLY	17.20
44	15-C52	THROTTLE LEVER RETAINING SCREW	0.84
51	363-318	IDLE NOZZLE	10.63
54	80-160	MAIN PLUG	0.99
55	136-562	CABLE BRAKET	20.18
56	15-C67	CABLE BRACKET RETAINING SCREW	0.87
57	15-C9	LIMITER SCREW	2.21
58	24-B131	LIMITER SPRING	0.46
60	81-377	CARBURETTOR MOUNTING NUT	3.00
62	24-C-334	CABLE RETURN SPRING	3.85
	HW-33A	Carburettor	289.95
	RK-11HW	REPAIR KIT	32.95
	DG-2HW	DIAPHRAGM & GASKET (STANDARD)	14.95
* INDICATES CONTENTS OF REPAIR KIT			
* + INDICATES CONTENTS OF DIAPHRAGM & GASKET SET			

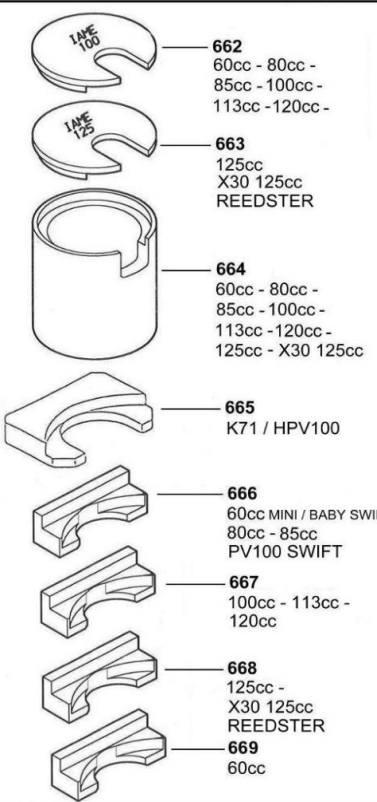


CAT-229

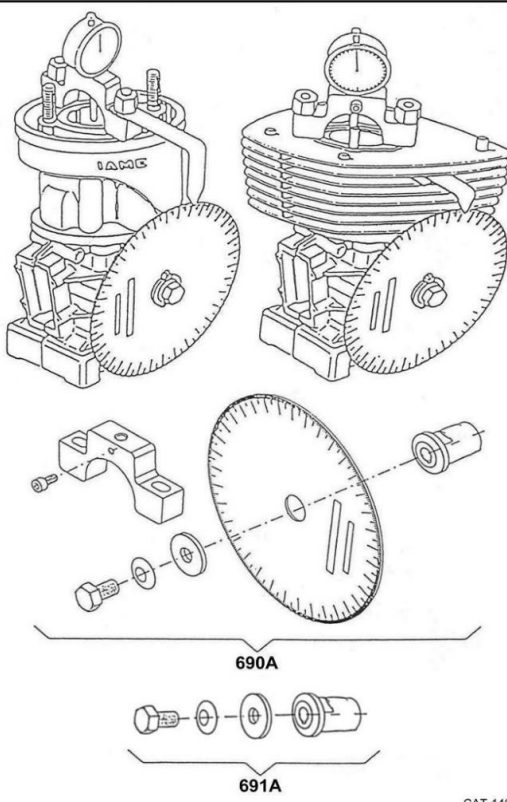
POS	COD	DESCR	PRICE
600	10271	PISTON STROKE LOCKER	38.12
601	ATT-039-C	STARTER GEAR PULLER	93.57
602	10200	PISTON PIN PUNCH 125cc	25.05
603	ATT-037	STARTER DRIVE WHEEL HOLD. TOOL	43.96
604	ATT-026	CLUTCH HUB PULLER 2009	51.05
604B	10159	CLUTCH PULLER WRENCH 12MM	23.00
605	10120	CIRCLIP ASSEMBLING TOOL 14MM	174.02

**650**  
ATTREZZO MONTAGGIO ALBERO  
ASSEMBLY CRANKSHAFT TOOL  
OUTIL MONTAGE VILEBREQUIN





- 662**  
60cc - 80cc -  
85cc - 100cc -  
113cc - 120cc -
- 663**  
125cc  
X30 125cc  
REEDSTER
- 664**  
60cc - 80cc -  
85cc - 100cc -  
113cc - 120cc -  
125cc - X30 125cc
- 665**  
K71 / HPV100
- 666**  
60cc MINI / BABY SWIFT  
80cc - 85cc  
PV100 SWIFT
- 667**  
100cc - 113cc -  
120cc
- 668**  
125cc -  
X30 125cc  
REEDSTER
- 669**  
60cc



**651**      X30 125cc  
REEDSTER

**652**      X30 125cc  
REEDSTER

**661**  
60cc - 80cc -  
85cc - 100cc -  
113cc - 120cc -  
125cc - X30 125cc  
REEDSTER

**690A**

**691A**

CAT-146/C

POS	COD	DESCR	PRICE
650	10110A	CRANKSHAFT ASSY TOOL	1,956.82
652	10150A	CRANK-PIN BUSH mm20	73.15
661	10107	CRANK-PIN PUSHER	11.66
663	10104A	CRANKSHAFT PLATE 125cc	100.61
664	10100	CRANKSH. DISASSY SUPPORT	167.09
668	10106	CRANKSHAFT INSERT 125cc-SUP	54.29
690A	10820A	TIMING GROUP TaG/REEDSTER	130.03
691A	10828-C	TAG COMPL.TIMING GROUP M10	53.38